


Part number
MK V20



Brief description:

hoods for single lever, size "21.21", top entry, M20, thermoplastic version, IP44, IP66/IP67 degree of protection with CKR 65 kit or CKR 65 D kit.

Product description		Approvals / Standards	
Version	thermoplastic version	Quality mark	UL type: 12, (type 4/4X only with kit CKR 65 or CKR 65 D),  , EAC
Series	Hoods with 2 pegs	Conformity	CQC, CE
Product type	with 2 pegs	General ordering information	
Variant	top entry	EAN13 code	8015747056533
Style	white colour, RAL 7035	Tariff number	85369095
Family	CK thermoplastic enclosures	Packaging Information	
Size	size "21.21"	Packaging length	370,00 mm
Technical data		Packaging height	135,00 mm
Operating temperature range (min, max)	-40°C ... +125°C	Packaging width	225,00 mm
Material	thermoplastic	Packaging weight	1,76 kg
IP degree of protection	IP44 (IP66/IP67 with CKR 65/CKR 65 D kits)	Packaging volume	11,24 dm ³
Cable entry	M20	Packaging description	Carton box
Further technical details		Packaging quantity	100 Pcs
Weight	18,00 g	Packaging EAN code	8015747056540
		Sub-packaging length	105,00 mm
		Sub-packaging height	70,00 mm
		Sub-packaging width	110,00 mm
		Sub-packaging weight	0,18 kg
		Sub-packaging volume	0,81 dm ³
		Sub-packaging description	Carton Box
		Sub-packaging quantity	10 Pcs
		Sub-packaging EAN barcode	8015747056557

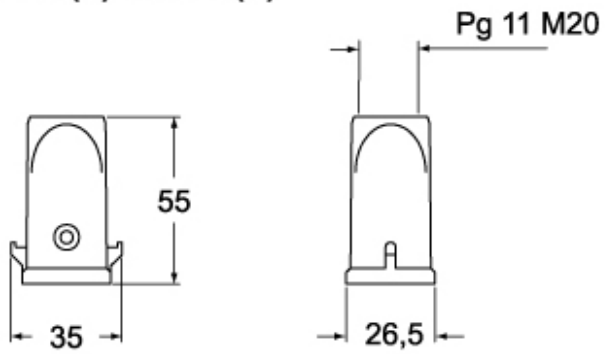
Part number

MK V20

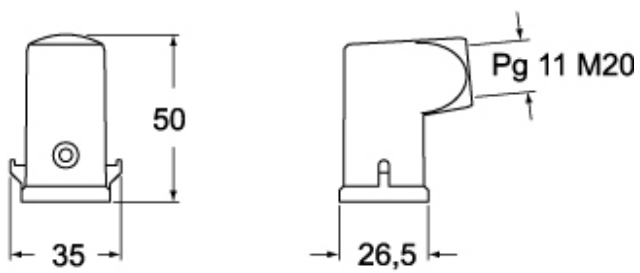


Catalogue drawings

CK V(N)S - MK V(N)



CK VA(N)S - MK VA(N)



CK VG(N)S - MK VG(N)

